



User's Guide

System for Odour Neutralization

Contents:

Contents	3
The Pure for Sure™ System.....	5
Application	6
Special conditions	7
The Odour Prevention Program	8
Maintenance of Pure for Sure Vapour Sprayer™	9
Trouble-shooting.....	10
FAQ – Frequently Asked Questions	11
Spare parts for Pure for Sure Vapour Sprayer™	14
Material Safety Data Sheet (MSDS)	15

The Pure for Sure™ System

Pure for Sure™ liquid and Pure for Sure Vapour Sprayer™ create a unique and efficient system for odour neutralization – as well as a prevention and an after-treatment solution.

Pure for Sure™ odour neutralization is a system that consists of the following two components:

1. Pure for Sure™ liquid

Pure for Sure™ liquid is delivered in 3 different variants with the following properties:

Variant:	Neutralization of:	Applied with:
Air Freshener™	Air freshening and scattered odour neutralization Washable items Carpets	Trigger sprayer Bowl/bucket Carpet extractor
Vapour Universal™	Cigar/cigarette, food and body odour etc.	Pure for Sure Vapour Sprayer™
Vapour Extreme™	Urine/feces, vomit, damage from fire, etc.	Pure for Sure Vapour Sprayer™

2. Pure for Sure Vapour Sprayer™

Pure for Sure Vapour Sprayer™ is a sophisticated "vapour-phase" spray machine that generates thousands of microscopic droplets (20 to 80 µm), allowing the Pure for Sure™ liquid to penetrate fabric and reach hidden areas (mattresses, pillows, bedspreads, carpets, acoustic ceilings, HVAC systems), where odours reside.



Application

It requires knowledge and care to reach the optimal result. Experience has shown that the system has to be tried several times before a satisfying result can be expected.

Windows and doors can be opened after a room has been treated with Pure for Sure™, as the effect of the neutralization process is being achieved during the treatment. It should be noted that a correct application will at normal room temperature leave all surfaces dry with no stain.

It is recommended to make-up the rooms AFTER a Pure for Sure™ treatment because dust may be kicked up and beds will be messed up.

Preparation

Turn on all the lights. Draw back curtains to maximize lighting. (This improves visibility of the mist to avoid over-spraying and over-saturation.) Cover the smoke alarm with a shower cap or plastic bag as mist or dust may trigger the alarms. Remove ashtray or trash receptacles if room has not been cleaned.

Evaluate the room and locate specific odours if possible. Consider different surfaces such as brick or exposed wood, which absorb odours. Jacuzzis, hot tubs and carpeting nearest the bathroom floor tend to mould and mildew. Also consider the air flow, windows and HVAC systems.

Treatment

Although Pure for Sure™ has been used more than 1 million times, without causing adverse reactions or other ill effects to human health, it is recommended to use goggles and a mask (or respirator) as the Pure for Sure Vapour Sprayer™ may "kick up" dust.

It is always recommended to follow the 5 steps described below:

- 1. Shake.** Because Pure for Sure™ is without any stabilizer, the Pure for Sure Vapour Sprayer™ should be shaken just before use. Also bottles with the Pure for Sure™ liquid should be shaken before use.
- 2. Adjust nozzle.** The very first thing is to turn on the motor of the Pure for Sure Vapour Sprayer™ and then adjust the nozzle until the point where mist will start to appear. From this point the nozzle is adjusted to approximately one-half to three-quarters turn or approximately 60% of "full blast".
- 3. Divide room into sections** To achieve a 100% covering of all the surfaces in the room, the room should be divided into sections spraying each section thoroughly (walls, floor, ceiling, upholstery, both sides of drapery, pillows, mattresses, box springs, bedspreads and even inside of dresser drawers). Notice that especially fabrics, untreated wood, bricks and silicone are very odour absorbing materials.
- 4. Spray** slowly and evenly using back-and-forth strokes in a distance of about 45-90 cm. All surfaces are to be applied with Pure for Sure™ in an even and thin layer just as if you were spray-painting. All surfaces will normally dry within a few seconds – maximum a couple of minutes for e.g. carpets.
- 5. Time yourself.** To avoid over/under spraying and saturation it is important to time yourself, and the following can be used as a reference for a typical hotel room of 25 m²:

Type	Time	Consumption
Converting E.g. from smoking to non-smoking rooms	12-14 minutes	0,5 L
Touch-up Monthly prevention by even odour loads	6-7 minutes	0,25 L
Thorough treatment Quarterly prevention by even odour loads	15-20 minutes	0,75 L

Special conditions

Pure for Sure™ doesn't leave any residue or greasy surfaces, and in general Pure for Sure™ can be used on any surface that can stand water-moist.

HVAC (air condition) systems: If you have incremental units, this is the best place to start. Remove cover of unit and turn unit on high heat. Air-spray the entire unit thoroughly (including the filter) to free it from the loose dust. Next, turn on the misting and spray the entire unit. (Note: It is better to clean or replace a dirty filter than to spray it with heavy saturation.) After the entire room has been treated, replace the cover and turn the unit to cool or off.

Drapery / curtains: Spray the heaviest part, then sheers, valances, etc. All fabric should be slightly moist for a few seconds after treating. Begin from the top and work down horizontally on each segment of the drapery panels.

Carpeting: A large portion of the odours in a room are in this area due to its absorbency. Spray medium to very heavy. This can be left damp for several minutes. (Remember to spray slowly and evenly. If odours persist, re-spray as needed).

Ceilings: Depending on the type of material, spray medium to very heavy, much like treating carpet. Be very thorough since it absorbs a lot of odour.

Bedspreads: Spray at medium level, thoroughly treating both sides. Bedspread should be dry to the touch within seconds after spraying.

Mattresses: Spray both heavily over every surface (top, bottom, and sides).

Furniture and other hard surfaces (mirrors, paintings, prints, etc.): Spray lightly.

Bathrooms: Begin spraying ceiling – if painted, spray lightly; if a more absorbent substance, spray medium to heavy. Next, spray walls, bathtub and shower areas – keep in mind the type of material. Do not spray bathroom floors, which may become slippery and potentially dangerous.

Closets: Spray medium to heavy, treating all surfaces. Don't forget the back of closet doors and the underneath of tables.

The Odour Prevention Program

Pure for Sure™ can be used proactively to prevent unwanted odours to arise, because Pure for Sure™ has the ability to remain actively, eliminating odours up to 6 weeks after a correct treatment.

The guidelines for running the Odour Prevention Program:	
Daily	<p>Use trigger sprayer for: Air freshening Light treatment of curtains and other fabrics Scattered odour neutralization Creating a residual barrier to prevent odours</p>
Weekly	<p>Use trigger sprayer for: Treatment of build-in air-condition systems. Turn on room heating system with fan on low setting. Once system has warmed up, trigger spray air-intake filter (approximately 10 - 12 sprays)</p>
Monthly	<p>Pure for Sure Vapour Sprayer™ used to: Apply a quick touch-up spray to all of your rooms (about 5 - 7 minute for a standard hotel room)</p>
Quarterly	<p>Pure for Sure Vapour Sprayer™ is used for: Thorough treatment (about 15-20 minute for a standard hotel room)</p>

Maintenance of Pure for Sure Vapour Sprayer™

Daily:

- Clear dust from side of filters with a small brush.
- Inspect the nozzle after use to check for wear or damage. If worn or damaged, the unit will not deliver the proper droplet size, and it should be replaced immediately.

Bi-Weekly:

- Fill unit with clean, hot water and spray until empty. This will help prevent build-up of residue and debris, which can hinder performance.

Every 6 Month:

- Replace air intake filter.
- Check all soft parts (hoses, gaskets, o-rings) for wear.

IMPORTANT:

- Turn off nozzle before turning off sprayer as this will prevent clogging and extend the life of the motor.
- Do NOT use any other liquid in Pure for Sure Vapour Sprayer™. It may damage the equipment and void warranty.
- Always operate Pure for Sure Vapour Sprayer™ with adequate air flow around air intake filter.

If you encounter other difficult odours or other problems, contact us.

Trouble-shooting

Odours return.

- Increase your adjustment of the vapour-phase spray nozzle by one-quarter to one-half turn.
- Increase the time of deodorization and continue to use slow and even motions.
- Remember to spray fabrics from 45 to 90 cm from the surface.
- Use Pure for Sure Vapour Extreme™ instead of Pure for Sure Vapour Universal™.

Note: Remember that the Pure for Sure™ liquid must contact each odour molecules to be effective. Spray carefully all surfaces, including under and behind furniture and other hidden areas.

The vapour-phase sprayer is "sputtering."

- Empty the tank to remove any debris.
- Fill tank with clean, hot water and run the sprayer at full-blast, until it is empty.
- Fill the unit with a 50:50 water/vinegar solution. Hereafter run the sprayer at full-blast until it is empty and flush with clean, hot water.

The vapour-phase sprayer becomes hot.

- Clean the air-intake filter on side of the machine.
- Replace the air-intake filter underneath the machine.

FAQ – Frequently Asked Questions

Who uses Pure for Sure™?

Among it's many areas of use Pure for Sure™ is currently used by more than 2500 hotels (in the category: 0-5 stars and 20-1000 rooms) mainly in the USA. During the last 10 years it has been used more than 1.000.000 times. Pure for Sure™ is also used for car services, cleaning services and as a retail product in aerosol-cans.

I use ozone machines. Why change to Pure for Sure™?

Ozone machines will only treat the air in a room and can't neutralize odour residing in materials. A treatment will take hours and most people will agree that after the ozone smell dissipates the original odour will already be returning. Ozone is extremely toxic (1000 times more than chlorine), and by inhalation of ozone, an oxidation and destruction of tissue in e.g. lungs will start due to ozone's very unstable atomic composition. This is the reason no one should ever be in a room, where an ozone machine is in use. Visit our website www.pure4sure.com for a link to the EPA's (U.S. Environmental Protection Agency) analysis of "Using Ozone for Odour Neutralization".

Why can't I just use trigger sprayers to convert a room?

Unless you soak the entire room with the trigger sprayer, and thereby touching every odour, you will not be successful. Remember Pure for Sure™ needs to come in contact with every odour molecule in the room. A trigger sprayer is simply not powerful enough or fine enough to accomplish this task. However, once the room has been converted with the vapour phase sprayer, one can with advantage use trigger sprayers with Pure for Sure™ daily to create a residual barrier and help to prevent odours from reaching deep into the room.

What odours will Pure for Sure™ neutralize?

Pure for Sure™ is very effectively working with mercaptan, amines and sulfides, and it will neutralize pretty much all organic compounded odours; even severe odours from cigars/cigarettes, damage from fire, food, feces/urine and vomit.

How quickly does Pure for Sure™ neutralize?

The neutralizing reaction between malodours and Pure for Sure™ occurs immediately, as the Pure for Sure™ liquid neutralizes odours on contact.

Where will the odour go when neutralized?

The reaction between malodours and Pure for Sure™ forms clusters of molecules that settles to the ground or statically bonds to surfaces and start a biodegrading process.

What is the end result when using Pure for Sure™?

The room will be odourless and fragrance free, just fresh.

Why is “odourless” so important?

It's all about first impressions, and there is no fragrance enjoyed by all. Everyone has their individual opinion of what smells good. Using Pure for Sure™ you can create fresh, odourless and fragrance free environments.

Are there any limitations to Pure for Sure™?

The only odours Pure for Sure™ has difficulty in neutralizing are odours from mould and mildew. Pure for Sure™ is not a biocide and does not disinfect. Pure for Sure™ will neutralize the current odours, however unless the spores are eliminated the smell will eventually return.

Is Pure for Sure™ safe to breathe?

With over 1 million applications there has been no registered health complaints. Still, some use a protective facemask as the Pure for Sure Vapour Sprayer™ generates a significant air flow and can kick up irritants such as dust and mould spores.

Some of my staff have chemical sensitivities. Can I use Pure for Sure™?

Pure for Sure™ is not a chemical, and we have never heard of any negative reaction from Pure for Sure™, but since there are many different levels of sensitivities, we recommend that each individual makes the decision.

What are common ways to use Pure for Sure™?

- Odour Prevention
- Conversions and thorough treatment (applied by the Pure for Sure Vapour Sprayer™) inside buildings, cars, trains etc.
- Everyday odour neutralization or air freshening (trigger sprayers)
- Carpet and floor care (mop water, carpet extractors, bonnet machines)
- Localized severe odours such as vomit and urine (applied by the Pure for Sure Vapour Sprayer™ or trigger sprayer)

I have tried to convert a room and I can't neutralize the odour completely...

What am I doing wrong?

If one or more surfaces are forgotten, it will have relatively big negative effect. Notice that Pure for Sure™ must come in contact with each odour molecule in the room in order to neutralize completely. If bad smells still persist in your room, this might be because sometimes the odours are trapped too far into e.g. the carpet for the Pure for Sure Vapour Sprayer™ to reach. For this we recommend using Pure for Sure™ in your carpet extractors.

Why do I need to use the Pure for Sure Vapour Sprayer™?

The Pure for Sure Vapour Sprayer™ is extremely powerful and produces a mist small enough to reach where other machines fall short. This is important, because it allows the Pure for Sure™ liquid to penetrate deeply and neutralize odours nearly impossible to reach otherwise. In addition, because of the droplet size, there is no residue leftover to be wiped down.

Does Pure for Sure™ leave residue?

Due to the very small droplet size (20 - 80 µm) and the concentration of oils in the Pure for Sure™ liquid, there is no residue. Any immediate moisture will dry within 2 minutes under normal room temperature.

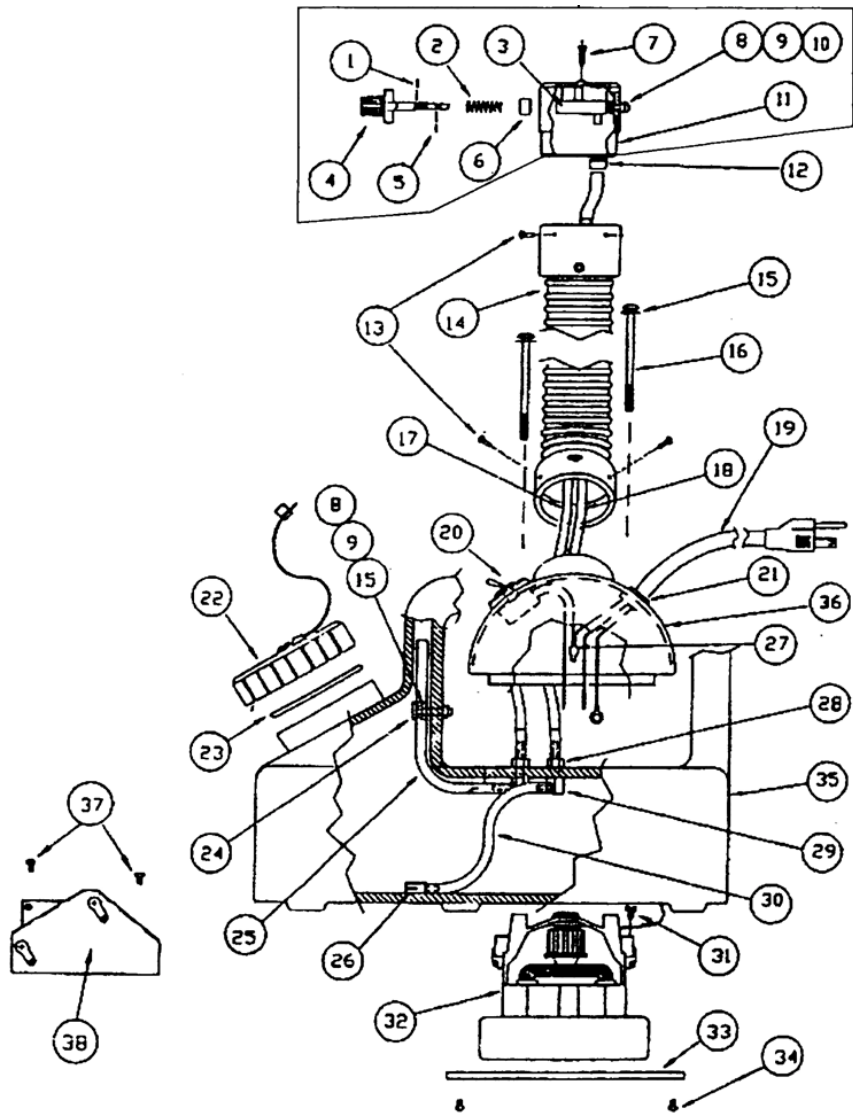
Pure for Sure™ is leaving a residue.... You said it wouldn't!

A couple of things may cause this.

1. If you linger too long in one place, water will build up and drip. The same thing happens, when you use a can of spray paint. If you point it in one area too long, the paint will drip. To fix this be sure to keep the nozzle moving with smooth broad strokes about 45-90 cm from the surface, which you are treating.
2. The spray setting is too high.
3. What's the product variant you are using? Pure for Sure Vapour Universal™ is the correct dilution for most situations.

Spare parts for Pure for Sure Vapour Sprayer™

- Clip
- Spring
- Venturi
- Valve Rod / Knob Assy.
- O-Ring
- Sleeve
- Screw
- Screw
- Hex Nut
- Spacer
- Nozzle
- Spring Clamp
- Screw
- Flex Hose Assy.
- Flat Washer
- Screw
- Pressure Tube, Upper
- Supply Tube, Upper
- Electric cord
- Switch
- Strain Relief
- Closure
- O-Ring
- Tube Retainer
- Pressure Tube, Lower
- Strainer
- Wire Connector
- Tank Barb
- Angle Barb
- Supply Tube, Lower
- Grounding Screw
- Motor
- Filter - Motor Guard
- Screw
- Tank
- Housing
- Screw
- Mount Plate



Material Safety Data Sheet (MSDS)

[When a country specific MSDS has been compiled, this page will be completed.]